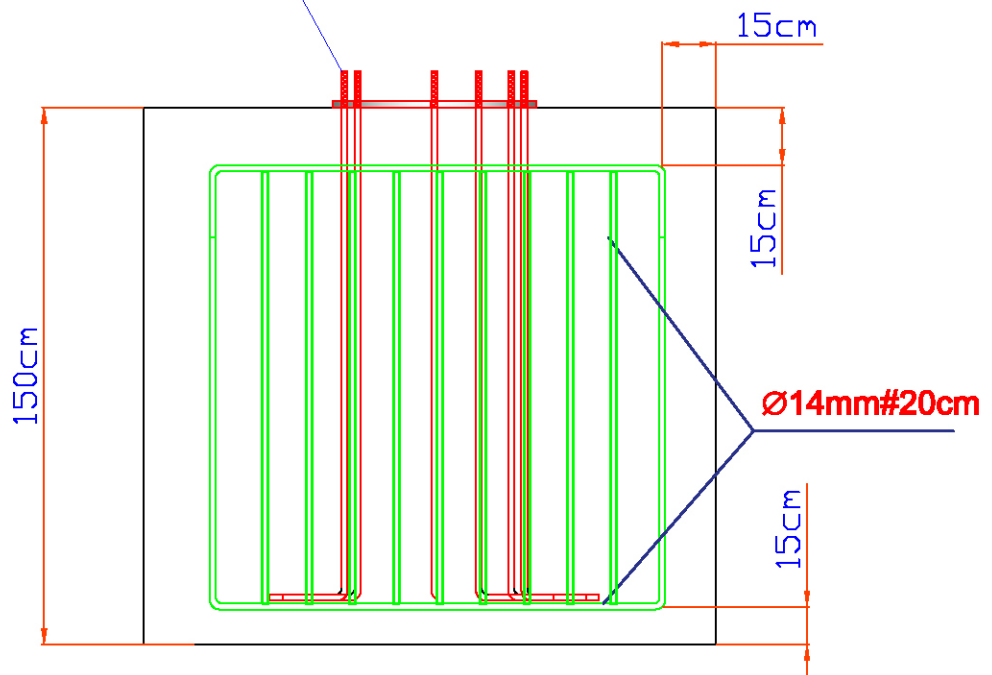


8Bolt = 28 mm\*L150cm



THE FOINDATION MUST BE EXECUTED WHIT A SPLINT

